

1. Table of Contents (This Page)  
Created on Thu Jun 7 15:03:11 2012

2. component

3. solder

4. plated-drill

5. unplated-drill

6. componentmask

7. soldermask

8. topsilk

9. bottomsilk

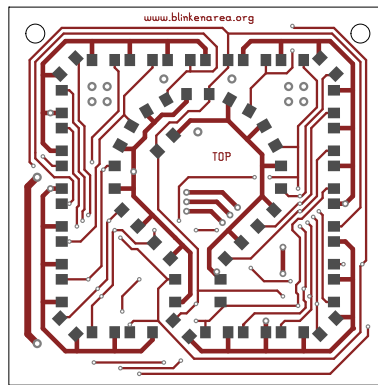
10. toppaste

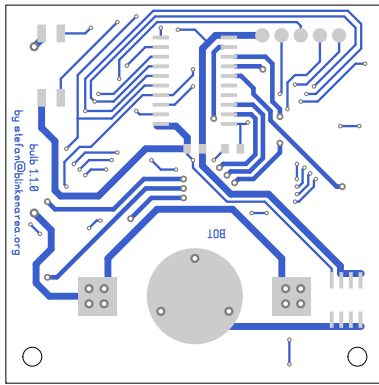
11. bottompaste

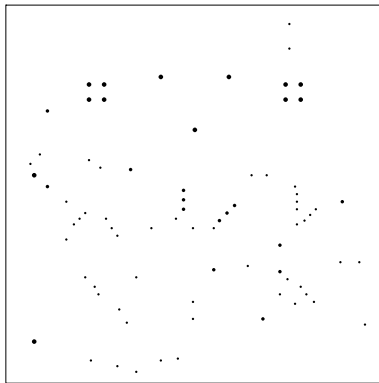
12. topassembly

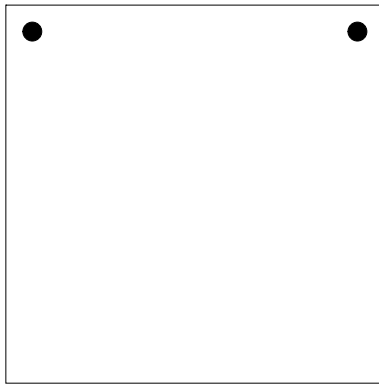
13. bottomassembly

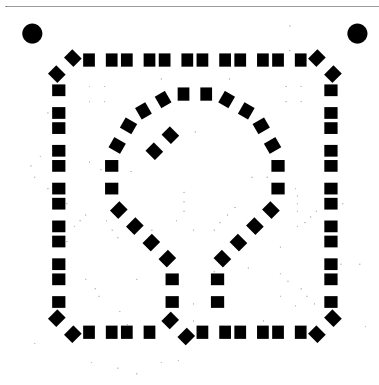
14. fab

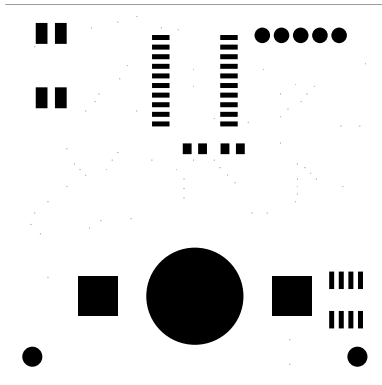


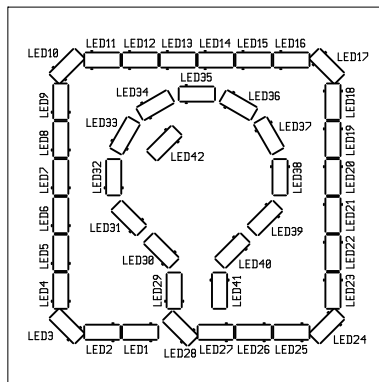




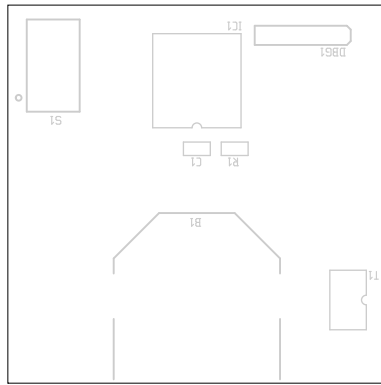


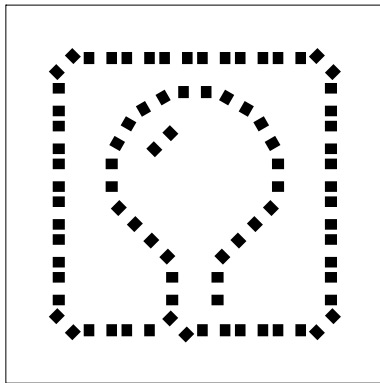


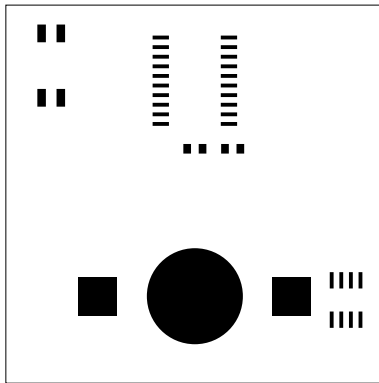


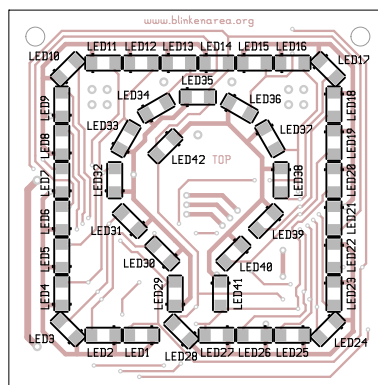


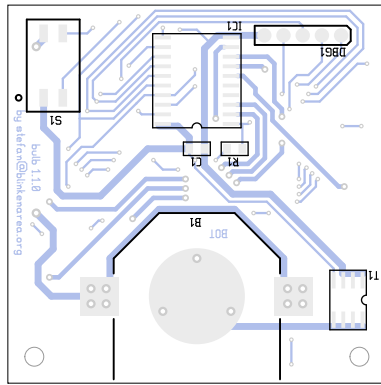








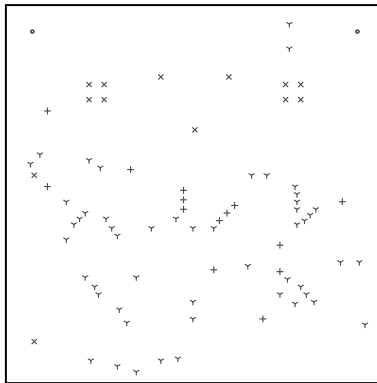




bottomassembly (mirrored), scale = 1:1.000  
bulb.pcb

There are 4 different drill sizes used in this layout, 80 holes total

| Symbol | Diam. (Inch) | Count | Plated? |  |
|--------|--------------|-------|---------|--|
| γ      | 0.012        | 51    | YES     | Title: (unknown) - Fabrication Drawing                           |
| +      | 0.018        | 14    | YES     | Author: Stefan Schuermans  |
| x      | 0.024        | 13    | YES     | Date: Do 07 Jun 2012 13:03:11 GMT UTC                            |
| °      | 0.099        | 2     | NO      | Maximum Dimensions: 1968.500000 mils wide, 1968.500000 mils high |



Board outline is the centerline of this 8.000000 mil rectangle - 0,0 to 1968.500000,1968.500000 mils